



## Standard Preparation 1400 mm Wall Cupboard with 2 Sliding Doors

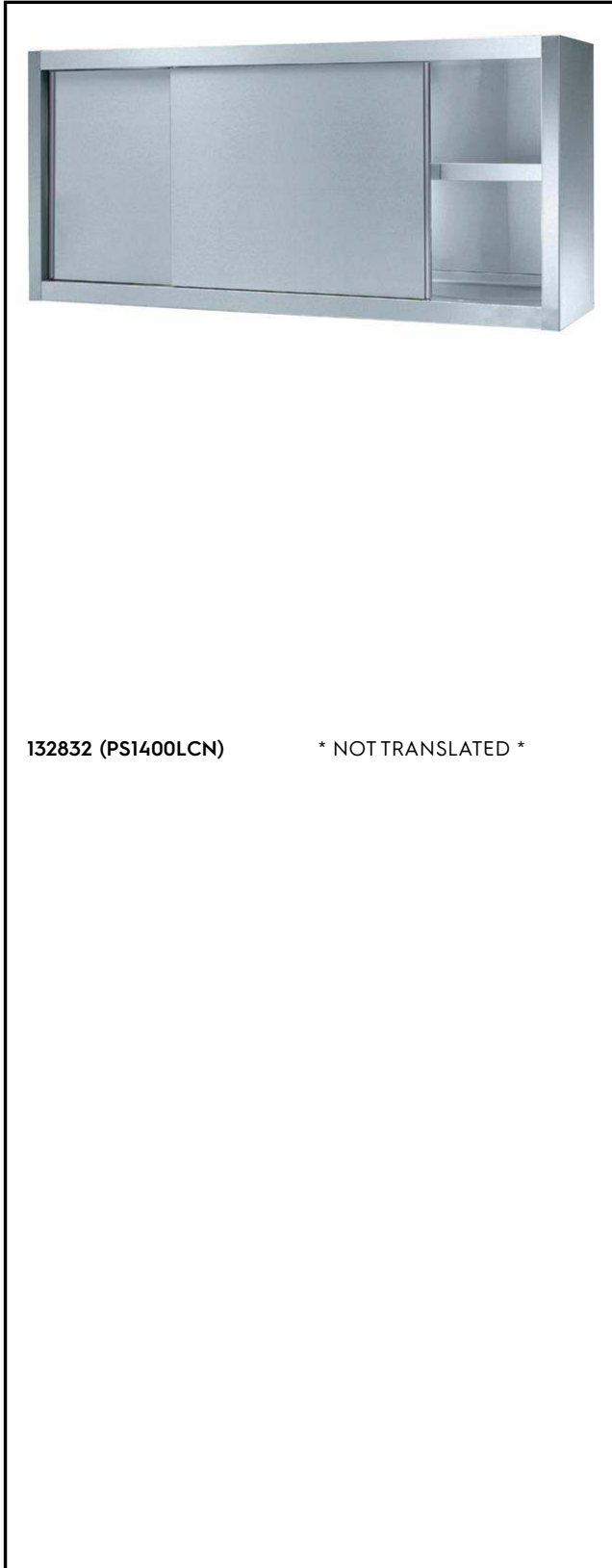
ITEM # \_\_\_\_\_

MODEL # \_\_\_\_\_

NAME # \_\_\_\_\_

SIS # \_\_\_\_\_

AIA # \_\_\_\_\_



132832 (PS1400LCN)

\* NOT TRANSLATED \*

### Main Features

- Handles in stainless steel for better hygiene and reliability.
- Sturdiness, stability and reliability of table accurately tested.

### Construction

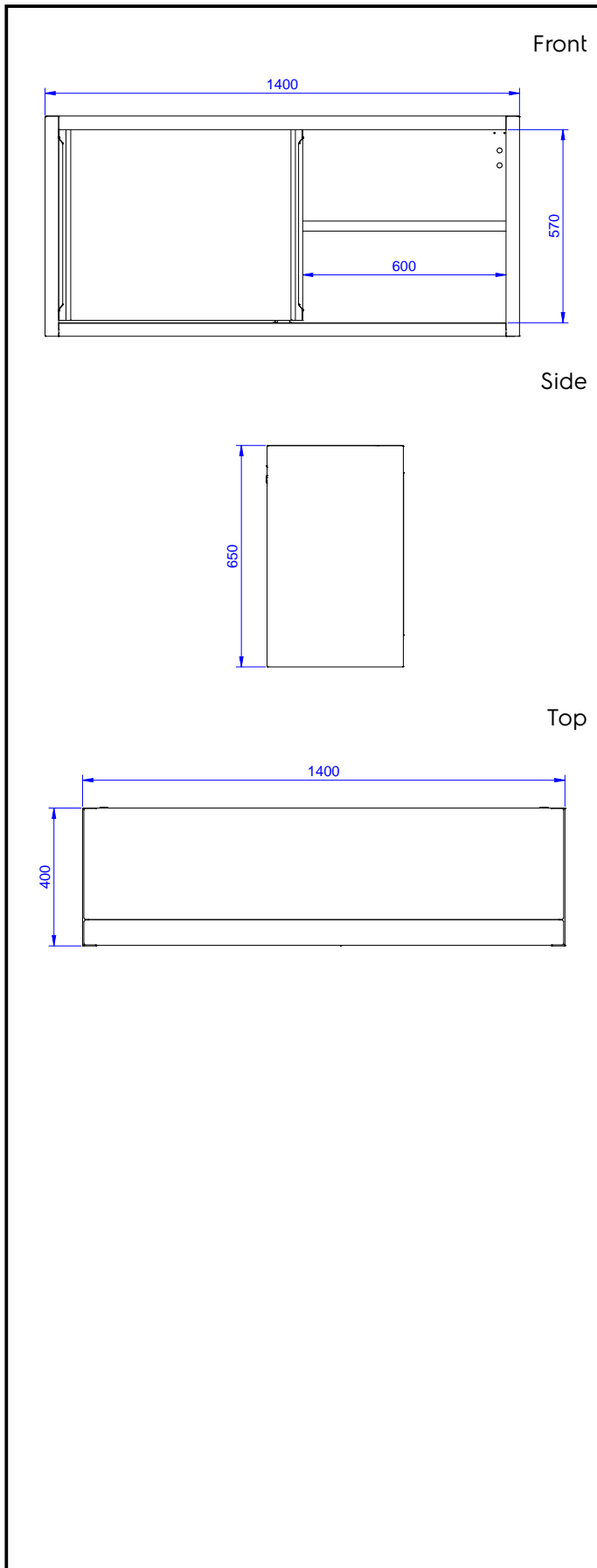
- Wall cupboard features an ergonomic handle and an internal shelf which can be positioned at three different levels.
- Easy access to the cupboard interior on all lengths guaranteed by the use of only 2 doors.
- Two double-walled sliding doors flush fitting to the front of the frame can easily be removed without the use of tools to facilitate cleaning of the cupboard interior.
- Sturdy sound-deadened sliding doors on tracks located flush to the front of the frame.
- 100 mm upstand with 10 mm radiused corner and 13 mm deep.
- Scotch Brite finish to meet the highest hygiene standards.

### Optional Accessories

- - NOT TRANSLATED - PNC 850709
- - NOT TRANSLATED - PNC 850710

APPROVAL: \_\_\_\_\_





**Key Information:**

N° of doors:	2
132832 (PS1400LCN)	
External dimensions, Width:	1400 mm
External dimensions, Depth:	400 mm
External dimensions, Height:	650 mm